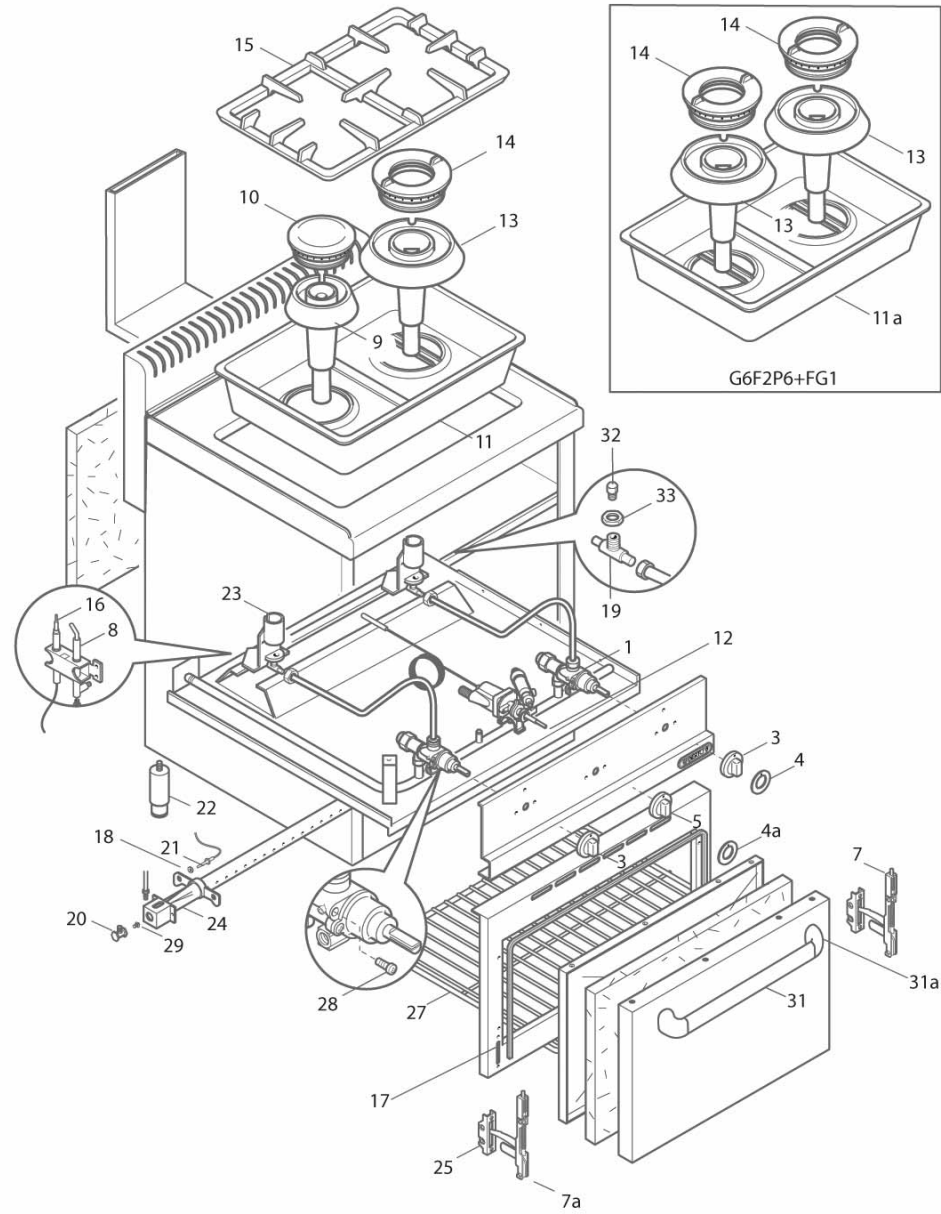




G6F2P6+FG1





G6F2P6+FG1

Pos. Item	Codice Code	Descrizione	Item Description	Designation articles	Artikelbeschreibung	Decripción artículos	N° pezzi - No. pieces				
1	31273500	Rubinetto pel21s;9x1;bypas 45	Tap pel pel21s;9x1;bypas 45	Robinet pel21s;9x1;bypas 45	Hahn pel21s;9x1;bypas 45	Llave de paso pel21s;9x1;bypas					1
1A	31273600	Rubinetto pel21s;9x1;bypas 55	Tap pel 21s;9x1;bypas 55	Robinet pel 21s;9x1;bypas 55	Hahn pel 21s;9x1;bypas 55	Llave de paso pel 21s;9x1;bypa					1
3	35877100	Manopola rossa p. 8x6,5 a 180°	Red knob p. 8x6,5 a 180°ral300	Manette rouge p. 8x6,5 a 180°	Drehknopf p. 8x6,5 a 180°ral30	Mando rojo p. 8x6,5 a 180°ral3					2
3	35876100	Manopola rossa p. 8x6,5 a 180°	Red knob 8x6,5 180°	Manette rouge 8x6,5 180°	Drehknopf 8x6,5 180°	Mando rojo 8x6,5 180°					2
4	31952200	Serig.rossa manop.gas plg-cpg-	Red gas knob serigraphy	Serigraphie rouge manette	Rote drehknoptsferigraphie	Serigrafia roja mando					2
4A	31952400	Ser.rossa manop.forno gas fg1	Red gas knob serigraphy	Serigraphie rouge manette	Rote drehknoptsferigraphie	Serigrafia roja mando					1
5	35877200	Manopola rossa p. 6x4.6 a o° r	Red knob p. 6x4.6 a o° ral3000	Manette rouge p. 6x4.6 a o° r	Drehknopf p. 6x4.6 a o° ral300	Mando rojo p. 6x4.6 a o° ral30					1
5	35876200	Manopola rossa p. 6x4.6 a o°	Red knob 6x4.6 o° c	Manette rouge 6x4.6 o° c	Drehknopf 6x4.6 o° c	Mando rojo 6x4.6 o° c					1
8	31291300	Pilota cuc.700 (2 posit.)	Cooker pilot (2 posit.)	Veilleuse forneau (2 posit.)	Herd zundflamme	Piloto cocina (2 posit.)					2
9	31807200	Corpo bruc.c 3,5kw cromato	Chromium-plated burner body 3,	Corps bruleur chrome 3,5kw	Brenner koerper 3,5kw verchrom	Cuerpo quemador cromado 3,5 kw					-
10	31954400	Spartif.bruc.c 3,5kw cromato	3,5kw burner cap	Chapeau bruleur 3,5kw	Flammenkranz 3,5kw	Sombbrero 3,5kw					-
11	31779400	Ass. bacinella smaltata cucina	Enamelled bowl assembly	Ensemble cuve Émaille	Email-skale	Conjunto bacía esmaltada					-
11A	31778600	Ass. bacin. inox serie 700	Stainless steel basin	Bassin inox	Becken edelstahl	Cubeta acero inox					1
12	22274000	Rubinetto forno by-pass 0.52	Oven tap by-pass 0.52	Robinet four by-pass 0.52	Hahn fur backofen by-pass 0.52	Llave de paso horno					1
13	31807000	Corpo bruc.d 6kw cromato	Chromium-plated burner body 6k	Corps bruleur chrome 6kw	Brenner koerper 6kw verchromt	Cuerpo quemador cromado 6kw					2
14	31954300	Spartif.bruc.d 6kw cromato	6kw burner cap	Chapeau bruleur 6kw	Flammenkranz 6kw	Sombbrero 6kw					2
15	31856200	Griglia nera 2 fuochi	Enamelled 2 burner grill	Grille Émaille 2 feux	Email. rost 2 flammen	Parrilla esmaltada 2 fuegos					1
16	22289200	Termocoppia 600 mm x plg/cpg/c	Thermocouple 600mm	Thermocuple 600mm	Thermoelement 600mm	Termopar 600mm					2
17	22594300	Guarnizione forno fg1/fe1 s.60	Oven seal fg1-fe1 600 r.	Joint four fg1-fe1 600 r.	Dichtung backofen fg1-fe1 600	Empaquetadura horno fg1-fe1 60					1
18	22290900	Dado x termocoppia fg1	Thermocouple nut	Ecrou pour thermocouple	Mutter fur thermoelement	Tuerca para termopar					2
19	32327600	Portaugello gl-plg-cpg-cucine	Injector holder	Support injecteur	Dusenhalter	Soporte de tobera					2
20	31327600	Portaugello per fg1	Injector holder	Porte-injecteur	Dusenhalter	Porta injector					1
21	22287500	Termocoppia x fg1	Oventhermocouple	Thermocouple four	Thermoelement backofen	Termopar horno					1
22	24684200	Piedino inox 1 1/2 h-125/175	Foot 1 1/2 h-125/175	Pied 1 1/2 h-125/175	Fuss 1 1/2 h-125/175	Pata 1 1/2 h-125/175					4
23	31913600	Supp. bruciatore c/d cucina	Burner support	Support bruleur	Brennerhalter	Soporte quemador					2
24	36275300	Ass. bruc. 2.7 kw fg 1/1 gn s.	2.7 kw burner thermocouple sup	BrÛleur 2.7 kw support thermoc	Brenner 2.7 kw thermoelementha	Quemador 2.7 kw soporte termop					1
27	23848200	Grc 1/1- griglia forno 1/1 gn	Grill 1/1 gn	Grille 1/1 gn	Rosteinheit 1/1 gn	Parrilla 1/1 gn					1
28	22783600	By-pass 55 x rubin. pel20/21s	By-pass 55 for tap pel20/21s	By-pass 55 pour robinet pel20/	By-pass 55 fur hahn pel20/21s	By-pass 55 para pel20/21s					2
28A	22783500	By-pass 45 x rubin. pel20/21s	By-pass 45 for tap pel20/21s	By-pass 45 pour robinet pel20/	By-pass 45 fur hahn pel20/21s	By-pass 45 para pel20/21s					-
29	40000000	Ugello: indicare modello e tip	Injector: specify model and ga	Gliceur: specifier modele et g	Duese: modell und gas-typ zeig	Tobera: precisar modelo y tipo					1
29A	40000000	Ugello: indicare modello e tip	Injector: specify model and ga	Gliceur: specifier modele et g	Duese: modell und gas-typ zeig	Tobera: precisar modelo y tipo					1
31A	31979000	Terminale crom.lucido plastica	Chromium-plated terminal	Terminal chromÉ poli	Verchromte grifendverschluss	Terminal cromado lustroso					1
31	31874000	Maniglia sez.ovale aisi 304 42	Handle aisi 304 425 x 41	Poignee aisi 304 425 x 41	Griffe aisi 304 425 x 41	Asa aisi 304 425 x 41					2
31A	31979200	Terminale rosso plastica term	Red plastic terminal	Cosse rouge plastique therm.	Roter thermo-kunststoffverschl	Terminal rojo plastico					1
32A	40000000	Ugello: indicare modello e tip	Injector: specify model and ga	Gliceur: specifier modele et g	Duese: modell und gas-typ zeig	Tobera: precisar modelo y tipo					2
32	40000000	Ugello: indicare modello e tip	Injector: specify model and ga	Gliceur: specifier modele et g	Duese: modell und gas-typ zeig	Tobera: precisar modelo y tipo					2
32C	40000000	Ugello: indicare modello e tip	Injector: specify model and ga	Gliceur: specifier modele et g	Duese: modell und gas-typ zeig	Tobera: precisar modelo y tipo					-
32B	40000000	Ugello: indicare modello e tip	Injector: specify model and ga	Gliceur: specifier modele et g	Duese: modell und gas-typ zeig	Tobera: precisar modelo y tipo					-
33	32811500	Dado portaugello m 14x1 lx/gas	Injector holder nut	Ecrou suporte injecteur	Mutter dusenhalter	Tuerca soporte tobera					2